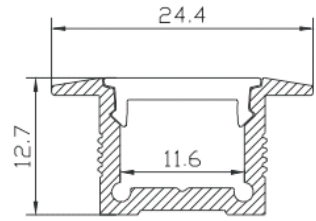


EPE 2613

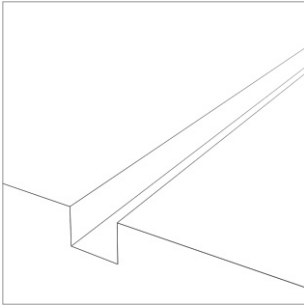
This box contains:
 Aluminum Profile - 2500mm
 Diffuser - 2500mm
 End caps - 4 pieces



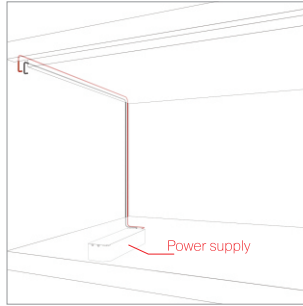
Installation instructions



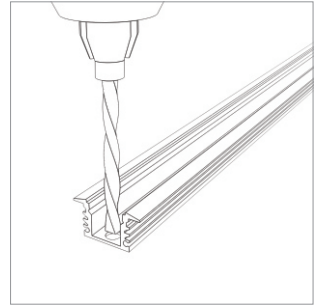
"Prior to installation, choose a location for the power supply and make sure that it is connected to the light switch."



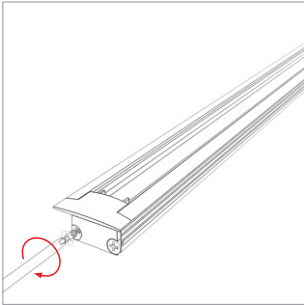
1 | Prepare the surface for installation of the fixture.



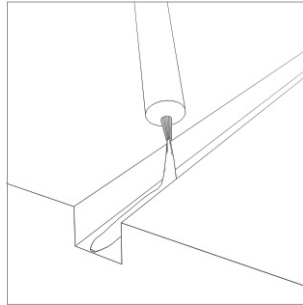
2 | Make the electrical connection to the power supply and then run the wires to the location of the light fixture.



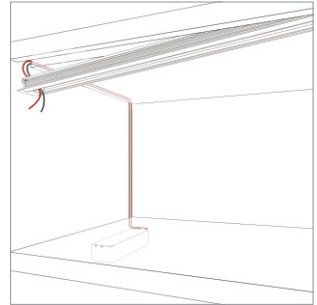
3 | Drill a hole into the fixture for low voltage wires.



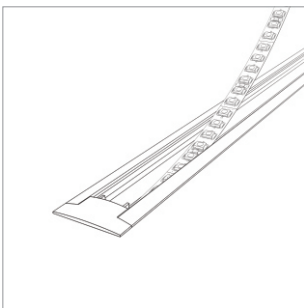
4 | Secure the end caps.



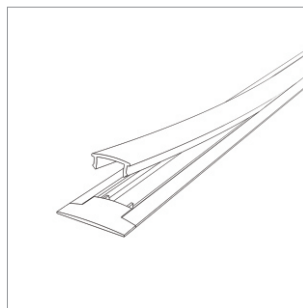
5 | Prepare the surface with a glue that is suitable for your application.



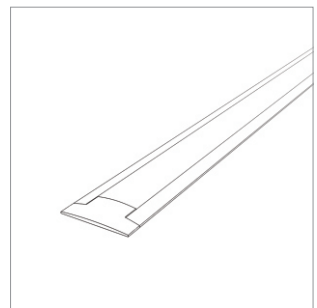
6 | Install the fixture into the surface and run the wires through the hole.



7 | Install the LED strip on the fixture surface and connect the electrical wires.

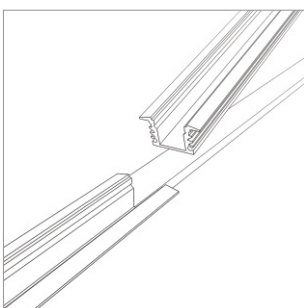


8 | Install the diffuser.

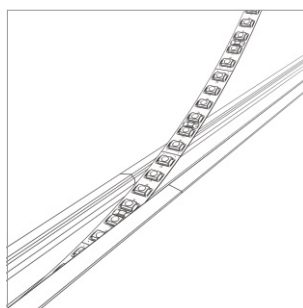


9 | The fixture is ready for use. Enjoy the light!

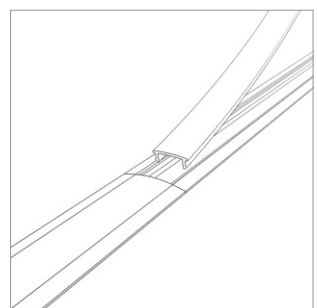
Instruction for fixtures longer than 2500mm



1 | Install the fixtures next to each other.



2 | Install the LED strip across the whole length of the fixture and connect the electrical wires.



3 | Install the diffuser.